

Technical data sheet

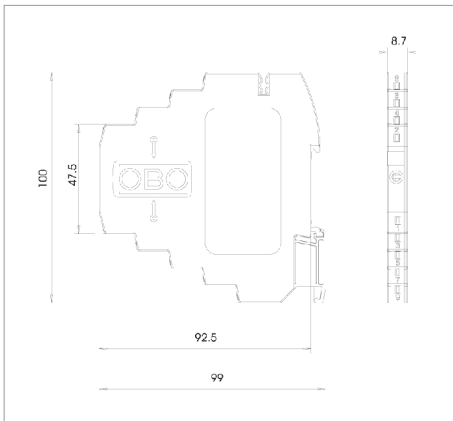
Series protection device, 4-pole, 24 V version



MDP.../D...T: Lightning barrier with test function

- Protection device for multi-wire systems
- Direct shield earthing
- With easy-to-mount screwless connection terminals
- Space-saving width of just 8.1 mm
- Protection circuit testable with Life Control
- High bandwidth to 100 MHz

Application: Use on 35 mm hat profile rail in any standard distribution housing.

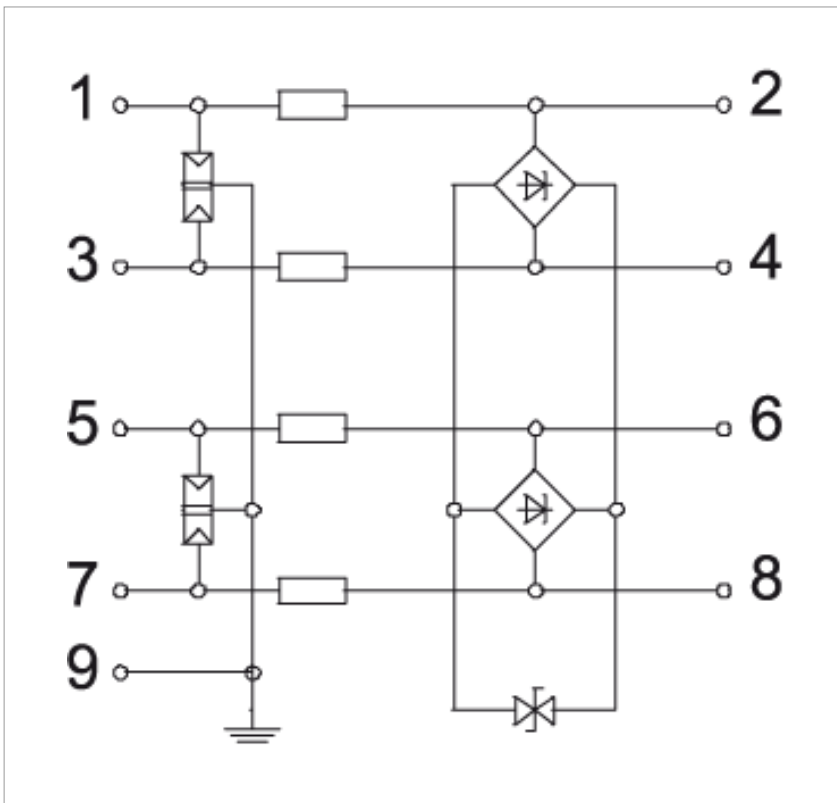


Type	Nominal voltage V	Version	Maximum continuous voltage Vc/AC V	Maximum continuous voltage Vc/DC V	Pack Units	Weight kg/100 pc.	Art.-No.
MDP-2 D-24-T	24	2-pole	20	28	1	6.000	5098422
MDP-3 D-24-T	24	3-pole	20	28	1	6.000	5098427
MDP-4 D-24-T	24	4-pole	20	28	1	5.800	5098431

G /pc.



Connection-/Circuit diagram



Article number			5098422	5098427	5098431
Version			2-pole	3-pole	4-pole
Nominal voltage	U_N	V	24	24	24
Maximum continuous voltage Vc/AC		V	20	20	20
Maximum continuous voltage Vc/DC		V	28	28	28
LPZ			1?3	1?3	1?3
Nominal load current	I_L	A	0.58	0.58	0.58
Protection level, wire-wire @ C1 (0.5 kV / 0.25 kA)		V	? 55	? 55	? 55
Protection level, wire-wire @ C1 (1 kV / 0.5 kA)		V	? 65	? 65	? 65
Protection level, wire-earth @ C2 (10 kA)		V	? 750	? 750	? 750
Lightning impulse current (10/350) [total]		kA	1		2
Rated arresting surge current I_n to C2		kA	5	5	5
Serial impedance per path		?	2.35	2.35	2.35
Insertion loss	a/dB	dB	3 @ 100 MHz	3 @ 100 MHz	3 @ 100 MHz
Protection rating			IP 20	IP 20	IP 20
Life Control testing option			Yes	Yes	Yes
Connection cross-section, rigid		mm ²	2.5	2.5	2.5
Connection cross-section, multi-wire		mm ²	1.5	1.5	1.5

Connection-/Circuit diagram

Connection cross-section, flexible	mm ²	2.5	2.5	2.5
Testing standard		IEC 61643-21	IEC 61643-21	IEC 61643-21

Legend



MSR Measuring, controlling and regulating systems

Legend



LifeControl



Transition from LPZ 1 to LPZ 3



Communautés Européennes, EC declaration of conformity according to EC directives



5-year warranty